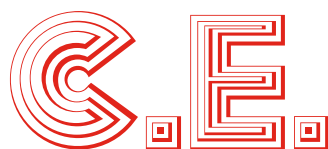


HIGH ENERGY IGNITION AND FLAME DETECTION

225-HEF-IFD.V2



225-HEF-IFD.V2



HIGH ENERGY IGNITION AND FLAME DETECTION

225-HEF-IFD.V2

KEY FEATURES

- High energy ignition and ionization detection module
- Small dimensions
- Degree of protection: IP66
- Multiple power supply: 110Vac/230Vac - 50/60Hz
- High energy ignition
 - Output power discharge: 4J
 - Output volt.: 1kV impulsive capacity discharge
 - Discharge frequency: fixed (approx.1 p.p.s.)
 - External command: 24VDC signal
 - Red led indication of the ignition active
- Ionization detection:
 - Coloured LED bar graph 10segment for flame strength indication
 - Flame Failure Response Time (FFRT) EN 98:2012
 - 0 second (suggested for gas burners)
 - 3 seconds (suggested for oil burners)
 - 2 NO contacts for flame status (flame on/off)
- Ex execution:
 - Ⓔ II 2G Ex db IIC T6 ... T4 Gb or
 - Ⓔ II 2D Ex tb IIIC T85°C ... T135°C Db

ELECTRICAL FEATURES

- Consumption: less than 300mA
- Power loss: 5W

MECHANICAL FEATURES

- Operating temp. range: -50°C to +85°C
- Indicative dimensions: 182x161x146 mm
- Unit weight: 6,6 kg
- Exd Enclosure material: Aluminium or SS316L

APPLY TO

- Flares
- Boilers
- Burners

CERTIFICATION

- ATEX certificate FTZÚ 15 ATEX 0182X
- ECEX certificate FTZÚ 15.0035X
- TRCU certificate AA87.B.00762/21
- INMETRO certificate DNV 20.0152X
- CE marking

MANUFACTURER

CE2K S.r.l.

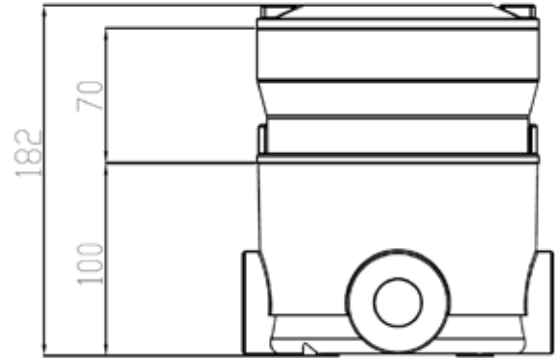
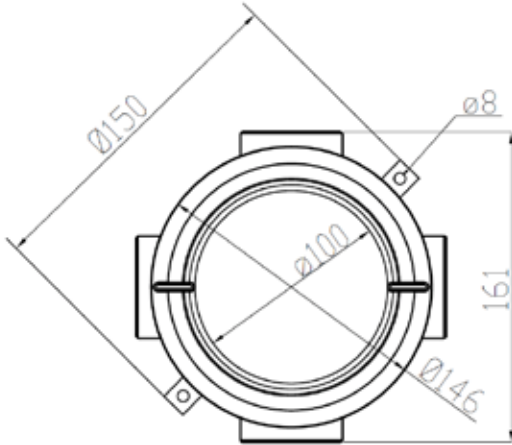
Part number:

- 225-HEF-IFD-AL.V2 (Exd aluminum enclosure)
- 225-HEF-IFD-SS.V2 (Exd SS enclosure)
- 225-HEF-IFD-EB.V2 (only electronic board)

HIGH ENERGY IGNITION AND FLAME DETECTION

TECHNICAL DRAWINGS

INDICATIVE DIMENSIONS



CONNECTION WIRING

