

Ex db eb IIC CONTROL STATIONS AND Ex eb IIC TERMINAL BOXES



CONTROL STATIONS

TERMINAL BOXES

CE2K-...-series of terminal boxes is suitable to contain Ex i terminals for incoming/outgoing cable connections. The control and signalling units series CE2K-...-CS-SSX can be equipped with certified components. Terminal boxes and control stations are available in Stainless Steel SS316L or in GRP (Glass Reinforced Polyester) material.

Combustion and Energy Ex db and Ex eb terminal boxes and control stations are ATEX and INMETRO certified.



AISI 316L TERMINAL BOXES TECHNICAL SPECIFICATIONS



DESCRIPTION

The terminal boxes series CE2K-... ..-SSX are able to operate in an ambient temperature from -60°C to +85°C and consist of enclosures having degree of protection IP66.

The terminal boxes contain Ex e and/or Ex i terminals for incoming/outgoing cables connections.

The lids of the terminal boxes are equipped with a silicone gasket.

The terminal boxes may have flanged walls and may be fitted with different types of terminals manufactured by: Weidmüller; ABB Entrellec; Wago; Phoenix Contact; Cabur.

MATERIAL

Enclosure material: Stainless Steel AISI316L

Ex CODE

Ex marking:  II 2 GD
Ex eb IIC T6/T5 Gb
Ex tb IIIC T85°C / T100°C Db

MECHANICAL FEATURES

External fixing bracket:	included
External earth:	bolt M10
Degree of protection:	IP66
Gasket:	silicone
Mounting plate:	SS type included
Mounting plate dimensions:	see technical details
Cover:	solid
Cover fixing:	by screws or by hinges
Removable gland plate:	on request



AISI 316L TERMINAL BOXES TECHNICAL SPECIFICATIONS

ELECTRICAL FEATURES


Max. rated voltage (Ex e):	11k VAC or VDC
Max. rated voltage (Ex i):	30 VAC or VDC
Frequency:	50/60 Hz
Maximum rated current:	520A
Maximum rated cross section:	300sqmm

Ex FEATURES

Standards:	EN 60079-0 / EN 60079-1 / EN 60079-7 / EN 60079-11/ EN 60079-31
Suitable for:	Zone 1 / Zone 2 / Zone 21 / Zone 22

CERTIFICATES

Certificates Number:

 CEC 15 ATEX 211



INMETRO certificate available upon request



Web

www.ce2k.com - info@ce2k.com

Contacts

Ph: +39 0341.260926

rev_240712

AISI 316L TERMINAL BOXES - DIMENSIONS

Model	External dimensions						kg	Mounting plate dimensions				External fixing bracket
	W		H		D			W		H		
	mm	in	mm	in	mm	in		mm	in	mm	in	
CE2K-09 09 09-SSX CE2K-09 09 09-SSX-F	90	3.54	90	3.54	90	3.54	0.54					2
CE2K-09 14 09-SSX CE2K-09 14 09-SSX-F	90	3.54	140	5.51	90	3.54	0.70					2
CE2K-09 20 09-SSX CE2K-09 20 09-SSX-F	90	3.54	200	7.87	90	3.54	0.88					2
CE2K-09 28 09-SSX CE2K-09 28 09-SSX-F	90	3.54	280	11.02	90	3.54	1.15					2
CE2K-10 10 10-SSX CE2K-10 10 10-SSX-F	100	3.94	100	3.94	100	3.94	0.74	70	2.76	85	3.35	2
CE2K-10 16 10-SSX CE2K-10 16 10-SSX-F	100	3.94	160	6.30	100	3.94	1.03	70	2.76	145	5.71	2
CE2K-10 20 10-SSX CE2K-10 20 10-SSX-F	100	3.94	200	7.87	100	3.94	1.23	70	2.76	185	7.28	2
CE2K-16 16 10-SSX CE2K-16 16 10-SSX-F	160	6.30	160	6.30	100	3.94	1.48	130	5.12	130	5.12	4
CE2K-16 25 10-SSX CE2K-16 25 10-SSX-F	160	6.30	250	9.84	100	3.94	2.10	130	5.12	220	8.66	4
CE2K-20 20 10-SSX CE2K-20 20 10-SSX-F	200	7.87	200	7.87	100	3.94	2.12	170	6.69	170	6.69	4
CE2K-20 25 12-SSX CE2K-20 25 12-SSX-F	200	7.87	250	9.84	120	4.72	2.82	170	6.69	220	8.66	4
CE2K-20 30 12-SSX CE2K-20 30 12-SSX-F	200	7.87	300	11.81	120	4.72	3.24	170	6.69	270	10.63	4
CE2K-20 40 12-SSX CE2K-20 40 12-SSX-F	200	7.87	400	15.75	120	4.72	4.20	170	6.69	370	14.57	4
CE2K-30 30 12-SSX CE2K-30 30 12-SSX-F	300	11.81	300	11.81	120	4.72	4.70	270	10.63	270	10.63	4
CE2K-30 40 12-SSX CE2K-30 40 12-SSX-F	300	11.81	400	15.75	120	4.72	6.03	270	10.63	370	15.57	4

Dimensions and weights are approximate and subject to change without notice.

Table above refers to Control Station with bolted cover. For the dimensions of Control Stations with hinges ask to info@ce2k.com.



AISI 316L TERMINAL BOXES - DIMENSIONS

Model	Door drill size				Working depth		Certification
	W		H		D		
	mm	in	mm	in	mm	in	
CE2K-09 09 09-SSX CE2K-09 09 09-SSX-F	50	1.97	50	1.97	75	2.95	IP66
CE2K-09 14 09-SSX CE2K-09 14 09-SSX-F	50	1.97	100	3.94	75	2.95	IP66
CE2K-09 20 09-SSX CE2K-09 20 09-SSX-F	50	1.97	160	6.30	75	2.95	IP66
CE2K-09 28 09-SSX CE2K-09 28 09-SSX-F	50	1.97	240	9.45	75	2.95	IP66
CE2K-10 10 10-SSX CE2K-10 10 10-SSX-F	60	2.36	60	2.36	85	3.35	IP66
CE2K-10 16 10-SSX CE2K-10 16 10-SSX-F	60	2.36	120	4.72	85	3.35	IP66
CE2K-10 20 10-SSX CE2K-10 20 10-SSX-F	60	2.36	160	6.30	85	3.35	IP66
CE2K-16 16 10-SSX CE2K-16 16 10-SSX-F	120	4.72	120	4.72	85	3.35	IP66
CE2K-16 25 10-SSX CE2K-16 25 10-SSX-F	120	4.72	210	8.27	85	3.35	IP66
CE2K-20 20 10-SSX CE2K-20 20 10-SSX-F	160	6.30	160	6.30	85	3.35	IP66
CE2K-20 25 12-SSX CE2K-20 25 12-SSX-F	160	6.30	210	8.27	105	4.13	IP66
CE2K-20 30 12-SSX CE2K-20 30 12-SSX-F	160	6.30	260	10.24	105	4.13	IP66
CE2K-20 40 12-SSX CE2K-20 40 12-SSX-F	160	6.30	360	14.17	105	4.13	IP66
CE2K-30 30 12-SSX CE2K-30 30 12-SSX-F	260	10.24	260	10.24	105	4.13	IP66
CE2K-30 40 12-SSX CE2K-30 40 12-SSX-F	260	10.24	360	14.17	105	4.13	IP66

Dimensions and weights are approximate and subject to change without notice.

Table above refers to Control Station with bolted cover. For the dimensions of Control Stations with hinges ask to info@ce2k.com.



Web

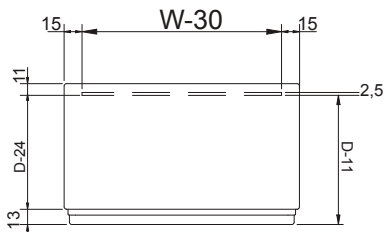
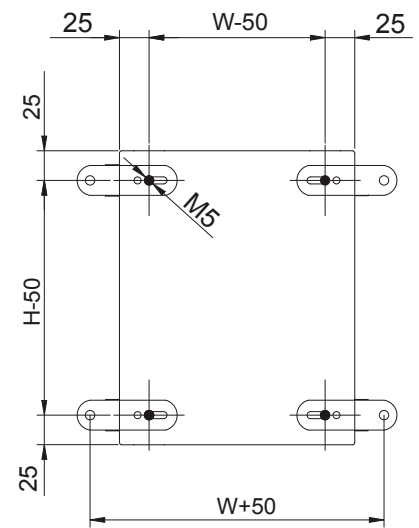
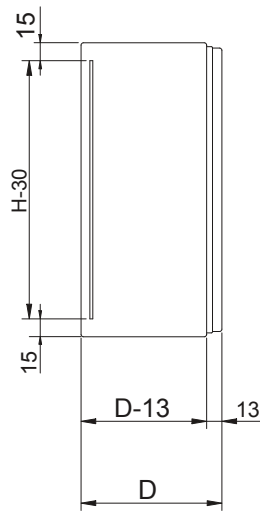
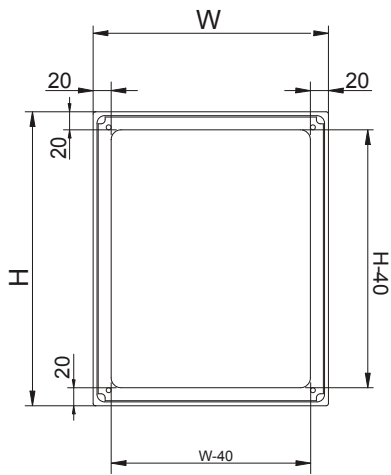
www.ce2k.com - info@ce2k.com

Contacts

Ph: +39 0341.260926

rev_240712

AISI 316L TERMINAL BOXES - DRAWINGS



Dimensions and weights are approximate and subject to change without notice.

Table above refers to Control Station with bolted cover. For the dimensions of Control Stations with hinges ask to info@ce2k.com.

