

# Ex db eb IIC CONTROL STATIONS AND Ex eb IIC TERMINAL BOXES



CONTROL STATIONS

TERMINAL BOXES

CE2K-...-series of terminal boxes is suitable to contain Ex i terminals for incoming/outgoing cable connections. The control and signalling units series CE2K-...-CS-SSX can be equipped with certified components. Terminal boxes and control stations are available in Stainless Steel SS316L or in GRP (Glass Reinforced Polyester) material.

**Combustion and Energy Ex db and Ex eb terminal boxes and control stations are ATEX and INMETRO certified.**



# AISI 316L CONTROL STATIONS TECHNICAL SPECIFICATION



## DESCRIPTION

The control and signalling units series CE2K-... ..-CS-SSX are able to operate in an ambient temperature from -60°C to +85°C and consist of enclosures having degree of protection IP66.

The lids are equipped with a silicone gasket suitable for an ambient temperature from -60°C to +85°C and for a max. surface temperature from T85°C to T100°C.

The control and signalling units series CE2K-... ..-CS-SSX can be equipped with certified components like:

- ammeter/voltmeter;
- switch module (for push-button, selector switch, control switch, etc.) and relevant actuator;
- safety switch;
- signalling lamp or Led; illuminated button;
- fuse;
- potentiometer.

Temperature class depends on the temperature class of the “hottest” component(s): if at least one component having temperature class T5 or T4 is mounted, the temperature class shall be T5 or T4.

The maximum permissible ambient temperature of the certified operators shall duly be considered.

For area of drilling on the lid must be considered the lid dimensions less 15%.

## MATERIAL

Enclosure material: stainless steel AISI 316L

## Ex CODE

Ex marking:  $\text{Ex} \text{ II } 2 \text{ GD}$   
Ex eb IIC T6/T5 Gb  
Ex tb IIIC T85°C / T100°C Db



## Web

[www.ce2k.com](http://www.ce2k.com) - [info@ce2k.com](mailto:info@ce2k.com)

## Contacts

Ph: +39 0341.260926

rev\_240712

# AISI 316L CONTROL STATIONS

## TECHNICAL SPECIFICATION

### MECHANICAL FEATURES

Degree of protection:	IP66
External earth:	bolt M10
Material gasket:	silicone
Mounting plate:	SS type included
Cover:	solid
Cover fixing:	by screws or by hinges
Removable gland plate:	Upon request

### ELECTRICAL FEATURES

Max. rated voltage (Ex e):	11k VAC or VDC
Max. rated voltage (Ex i):	30 VAC or VDC
Frequency:	50/60 Hz
Maximum rated current:	520A
Maximum rated cross section:	300sqmm

### Ex FEATURE

Standards:	EN 60079-0 / EN 60079-1 / EN 60079-7 / EN 60079-11/ EN 60079-31
Suitable for:	Zone 1 / Zone 2 / Zone 21 / Zone 22

### CERTIFICATES

Certificates Number:	 CEC 15 ATEX 211
	 INMETRO certificate available upon request



# AISI 316L CONTROL STATIONS - DIMENSIONS

Model	External dimensions						kg	Mounting plate dimensions				External fixing bracket
	W		H		D			W-50		H-50		
	mm	in	mm	in	mm	in		mm	in	mm	in	
CE2K-09 14 09-CS-SSX CE2K-09 14 09-CS-SSX-F	90	3.54	140	5.51	90	3.54	0.70					2
CE2K-09 20 09-CS-SSX CE2K-09 20 09-CS-SSX-F	90	3.54	200	7.87	90	3.54	0.88					2
CE2K-09 28 09-CS-SSX CE2K-09 28 09-CS-SSX-F	90	3.54	280	11.02	90	3.54	1.15					2
CE2K-10 10 10-CS-SSX CE2K-10 10 10-CS-SSX-F	100	3.94	100	3.94	100	3.94	0.74	70	2.76	85	3.35	2
CE2K-10 16 10-CS-SSX CE2K-10 16 10-CS-SSX-F	100	3.94	160	6.30	100	3.94	1.03	70	2.76	145	5.71	2
CE2K-10 20 10-CS-SSX CE2K-10 20 10-CS-SSX-F	100	3.94	200	7.87	100	3.94	1.23	70	2.76	185	7.28	2
CE2K-16 16 10-CS-SSX CE2K-16 16 10-CS-SSX-F	160	6.30	160	6.30	100	3.94	1.48	130	5.12	130	5.12	4
CE2K-16 25 10-CS-SSX CE2K-16 25 10-CS-SSX-F	160	6.30	250	9.84	100	3.94	2.10	130	5.12	220	8.66	4
CE2K-20 20 10-CS-SSX CE2K-20 20 10-CS-SSX-F	200	7.87	200	7.87	100	3.94	2.12	170	6.69	170	6.69	4
CE2K-20 25 12-SSX CE2K-20 25 12-SSX-F	200	7.87	250	9.84	120	4.72	2.82	170	6.69	220	8.66	4
CE2K-20 30 12-CS-SSX CE2K-20 30 12-CS-SSX-F	200	7.87	300	11.81	120	4.72	3.24	170	6.69	270	10.63	4
CE2K-20 40 12-CS-SSX CE2K-20 40 12-CS-SSX-F	200	7.87	400	15.75	120	4.72	4.20	170	6.69	370	14.57	4
CE2K-30 30 12-CS-SSX CE2K-30 30 12-CS-SSX-F	300	11.81	300	11.81	120	4.72	4.70	270	10.63	270	10.63	4
CE2K-30 40 12-CS-SSX CE2K-30 40 12-CS-SSX-F	300	11.81	400	15.75	120	4.72	6.03	270	10.63	370	15.57	4

Dimensions and weights are approximate and subject to change without notice.

Table above refers to Control Station with bolted cover. For the dimensions of Control Stations with hinges ask to info@ce2k.com.



**Web**

www.ce2k.com - info@ce2k.com

**Contacts**

Ph: +39 0341.260926

rev\_240712

# AISI 316L CONTROL STATIONS - DIMENSIONS

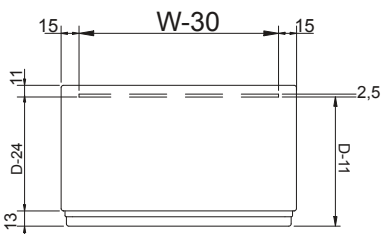
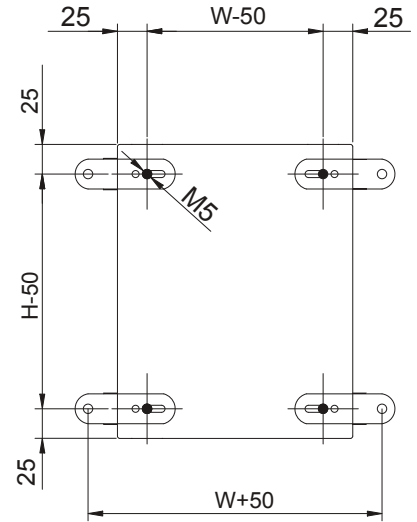
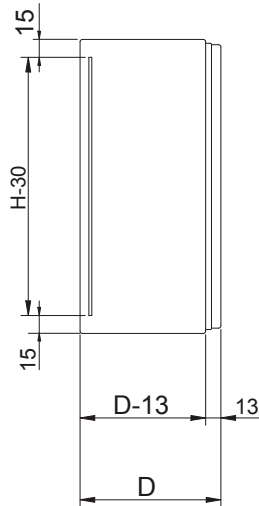
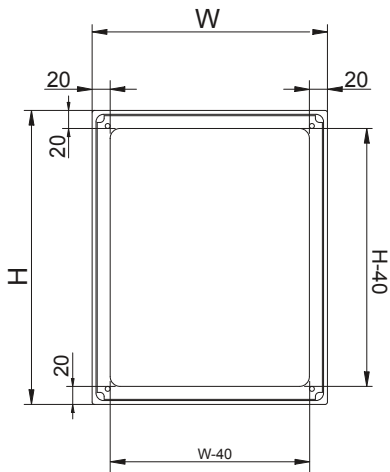
Model	Door drill size				Working depth		Certification
	W-40		H-40		W-30		
	mm	in	mm	in	mm	in	
CE2K-09 14 09-CS-SSX CE2K-09 14 09-CS-SSX-F	50	1.97	100	3.94	75	2.95	IP66
CE2K-09 20 09-CS-SSX CE2K-09 20 09-CS-SSX-F	50	1.97	160	6.30	75	2.95	IP66
CE2K-09 28 09-CS-SSX CE2K-09 28 09-CS-SSX-F	50	1.97	240	9.45	75	2.95	IP66
CE2K-10 10 10-CS-SSX CE2K-10 10 10-CS-SSX-F	60	2.36	60	2.36	85	3.35	IP66
CE2K-10 16 10-CS-SSX CE2K-10 16 10-CS-SSX-F	60	2.36	120	4.72	85	3.35	IP66
CE2K-10 20 10-CS-SSX CE2K-10 20 10-CS-SSX-F	60	2.36	160	6.30	85	3.35	IP66
CE2K-16 16 10-CS-SSX CE2K-16 16 10-CS-SSX-F	120	4.72	120	4.72	85	3.35	IP66
CE2K-16 25 10-CS-SSX CE2K-16 25 10-CS-SSX-F	120	4.72	210	8.27	85	3.35	IP66
CE2K-20 20 10-CS-SSX CE2K-20 20 10-CS-SSX-F	160	6.30	160	6.30	85	3.35	IP66
CE2K-20 25 12-SSX CE2K-20 25 12-SSX-F	160	6.30	210	8.27	105	4.13	IP66
CE2K-20 30 12-CS-SSX CE2K-20 30 12-CS-SSX-F	160	6.30	260	10.24	105	4.13	IP66
CE2K-20 40 12-CS-SSX CE2K-20 40 12-CS-SSX-F	160	6.30	360	14.17	105	4.13	IP66
CE2K-30 30 12-CS-SSX CE2K-30 30 12-CS-SSX-F	260	10.24	260	10.24	105	4.13	IP66
CE2K-30 40 12-CS-SSX CE2K-30 40 12-CS-SSX-F	260	10.24	360	14.17	105	4.13	IP66

Dimensions and weights are approximate and subject to change without notice.

Table above refers to Control Station with bolted cover. For the dimensions of Control Stations with hinges ask to [info@ce2k.com](mailto:info@ce2k.com).



# AISI 316L CONTROL STATIONS - DRAWINGS



Drawings above refer to Control Station with bolted cover. For the drawings of hinges of Control Stations ask to [info@ce2k.com](mailto:info@ce2k.com).



## Web

[www.ce2k.com](http://www.ce2k.com) - [info@ce2k.com](mailto:info@ce2k.com)

## Contacts

Ph: +39 0341.260926

rev\_240712